

# Application for Grave Monument and Foundation Setting

**Fairview Cemetery:** 101 N. 4<sup>th</sup> St., Denver, PA 17517

**Fairview Cemetery Annex:** 1180 Steinmetz Rd., Denver, PA 17517

Applicant/Lot Owner: \_\_\_\_\_ Date: \_\_\_\_\_

Address: \_\_\_\_\_

Email: \_\_\_\_\_

Daytime phone(s): \_\_\_\_\_

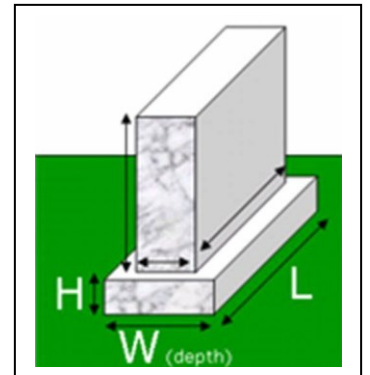
Monument/marker for: \_\_\_\_\_

Name of Cemetery: \_\_\_\_\_

Grave Location: Section No. \_\_\_\_\_ Lot No. \_\_\_\_\_ Grave No. \_\_\_\_\_

## **Required Information**

List measurements of requested stone and submit a drawing or sketch with application. Please refer to the Fairview Cemetery and Fairview Cemetery Annex Rules & Regulations, Section 9, for more information which can be found at [www.denverboro.net](http://www.denverboro.net) under Cemeteries.



### **Flush Marker:**

Single or Double: \_\_\_\_\_ Material \_\_\_\_\_

Flush Marker: Length: \_\_\_\_\_ Width: \_\_\_\_\_ Depth: \_\_\_\_\_

Foundation: Length: \_\_\_\_\_ Width: \_\_\_\_\_ Depth: \_\_\_\_\_

*Flush Markers larger than 24" by 12" require a foundation. Minimum thickness is four inches.*

- Maximum allowed for single: length 24" and width 12".
- Maximum allowed for double: length 48" and width 24".

### **Type of Monument: Upright or Slanted (circle one)**

Single or Double: \_\_\_\_\_ Material \_\_\_\_\_

Top/Tablet: Length \_\_\_\_\_ Height \_\_\_\_\_ Width/thick \_\_\_\_\_

Base (if applicable): Length \_\_\_\_\_ Height \_\_\_\_\_ Width/thick \_\_\_\_\_

Foundation: Length \_\_\_\_\_ Width \_\_\_\_\_ Depth \_\_\_\_\_

- Top/tablet - Maximum allowed for single: length 30", height 28", width/thick 10".
- Top/tablet - Maximum allowed for double: length 48", height 28", width/thick 10".
- Base - Maximum allowed for single: length 40", height 14", width/thick 16".
- Base - Maximum allowed for double: length 60", height 14", width/thick 16".

**Foundations for monuments must:**

- Extend 10 inches in depth except where granite is used, in which case a four inch foundation is required.
- Be one piece not to exceed five inches overall margin.
- Not project above the ground.
- Any concrete piers must extend to the depth of the vault.

**Monument Company Certification**

I hereby certify that I am familiar with the Rules and Regulation of the Fairview Cemetery respecting the installation requirements for memorials and grave markers and that the installation will be made in conformity with said Rules and Regulations.

Monument Company: \_\_\_\_\_ Phone: \_\_\_\_\_

Address: \_\_\_\_\_ Email: \_\_\_\_\_

\_\_\_\_\_

Monument Company Signature Title

**Instructions:**

Submit the completed application along with a sketch to Denver Borough for approval.

Denver Borough, 501 Main Street, Denver, PA 17517.

Email Joan High: [jhigh@denverboro.net](mailto:jhigh@denverboro.net) Phone: 717-336-2831 Ext. 1

- After approval is received the Monument Company may then contact JD Weaver to request the installation of the foundation in the cemetery. JD Weaver’s contact information:

Phone number: 717-341-7376 Email: [jdsilvia1984@gmail.com](mailto:jdsilvia1984@gmail.com)

-----

**Permit for Construction and Installation**

Date: \_\_\_\_\_

I hereby authorize the installation of the marker/memorial.

\_\_\_\_\_

Denver Borough